

USER MANUAL /
MANUAL D'UTILISATION

RAIS Topas & RAIS Opus



We cannot be held responsible for any misprints

RAIS Topas

RAIS Opus

OMNI report no. : #138-S-13-2

Revision : 1

Date : June, 2008

INTRODUCTION	4
WARRANTY	4
SPECIFICATIONS	5
CONVECTION	6
GLASS AND REPLACEMENT OF GLASS.....	6
COLD HANDLE COVER	7
CHIMNEY	8-9
INSTALLATION	10
INSTALLATION WITH TURNTABLE	11
NAME TAG	12-13
CLEARANCES TO COMBUSTIBLE WALLS	14-15
CLEARANCES TO NON-COMBUSTIBLE WALLS	16
FLOOR PROTECTION.....	16
FIREWOOD	17
DRYING AND STORING	17
ADJUSTING THE COMBUSTION AIR.....	18
USING THE STOVE	19
ADJUSTING THE AIR CONTROL	19
CONTROL.....	19
FIRST FIRE.....	21
LIGHTING AND STOKING	22-23
FUEL CAUTION	24
CARE AND MAINTENANCE	24
CLEANING THE SMOKE/BAFFLE SYSTEM.....	25
DISPOSAL OF ASHES	26
TROUBLE SHOOTING	27
SPARE PART DRAWING RAIS TOPAS	28-29
SPARE PART DRAWING RAIS OPUS	30-31

Introduction

Congratulations on the purchase of your new RAIS woodburning stove.

A RAIS woodburning stove is more than just a source of heat, it is a symbol of the emphasis you put on decorating your home with superiorly designed high-quality products.

PLEASE READ THIS ENTIRE MANUAL BEFORE YOU INSTALL AND USE YOUR NEW RAIS STOVE. FAILURE TO FOLLOW INSTRUCTIONS MAY RESULT IN PROPERTY DAMAGE, BODILY INJURY, OR EVEN DEATH. SAVE THIS MANUAL AND KEEP IT HANDY FOR EASY REFERRAL.

“DO NOT INSTALL IN A MOBILE HOME”

“WARNING: Do not overfire. If the stovetop or chimney connector pipe glow red, you are overfiring”.

Safety and environmental testing

The RAIS Topas/Opus Series stoves have been tested by OMNI-Test Laboratories, Inc., Beaverton, Oregon and are listed to UL 1482 and ULC S627. They are also EPA certified..

For future reference, please write down the production number of your RAIS woodburning stove here. The number must be stated in all inquiries or complaints concerning this product.

Warranty

We offer a five-year warranty on your RAIS stove. The warranty covers any defects in materials or workmanship. However, it does not cover damage from misuse or neglect, and the glass, gaskets and firebricks are not covered either.

RAIS A/S	
Industrivej 20, Vangen 9900 Frederikshavn	
○	○
Prod.nr.	<input type="text"/>

Distributor:

Date:

Specifications:

	RAIS Topas	RAIS Opus
Weight - Stove Heat storage (soap stones)	364 lbs (165 kg)	397 lbs (180 kg) 220 lbs (100 kg)
Stove exterior: Width/depth/height (inches)	19.5 / 19.1 / 50.4	19.5 / 19.1 / 63.0
Firebox interior Width/depth/height (inches)	14,6 / 15,0 / 16,2	
Heating capacity at -20°C/-4°F	Approximately 90 m ² / 1000 Square Feet	
Recommended wood quantity:	2-3 logs of 10" in length each 1,5 kg / 3,3 lbs	
Intermittent operation:	Stoke the stove every three hours	
Flue gas mass flow:	6.4 grams per second	
Flue gas temperature:	232°C / 450°F	
Single wall connector stove pipe:	6" (15 cm)	
Chimney pipe - class A, UL-103 HT:	6" (15 cm)	
Optimal thermal output :	17 kBTU (5 kW)	
Min./Max. output (kW):	12 - 23 kBTU (3 - 7 kW)	
Minimum stove draft pressure at above output:	0.048"WC (12 Pa)	
Tested EPA emission particulate rate:	5.7 grams/hour	

Convection

All RAIS stoves are convection stoves, which means that the sides of the stove never get too hot. Convection works by pulling cold air into the system at the base of the stove and up through the convection duct that is located along the combustion chamber of the stove. The heated air is released from the top of the stove, creating rapid air circulation in the room.

Glass and replacement of glass.

All RAIS stoves supplied with Robax® glass in the door. Robax® glass is a ceramic glass type suitable for stoves. The glass is installed from RAIS as an integral part of the door and stove.

Inspect the glass for cracks prior to the first fire.

Abuse may cause damage to the glass and door.
Do not strike the door or glass nor slam the door
Do not build the fire close to the glass or opening.

Do not use the stove if the glass is broken - contact your local authorized dealer.

In case of broken glass during use of stove - let the stove slowly burn the remaining firewood under supervision. Do not close the chimney baffle if installed. Contact you local authorized dealer

The glass is supplied as an integral part of the door for spare part. The Robax® glass may only be replaced by genuine spare parts from RAIS. Do not use substitute material. Replacement of the glass as separate component is only for authorized personnel.

Cold handle cover



The stove is supplied with a loose “cold” handle cover, which enables you to operate the handle without the use of a glove. Please note that one must always be very careful when touching any other part of the stove while it is still hot.

The loose cold handle cover is placed over the door handle.

Open door: Turn the handle clockwise to stop and pull out approx 1/4” until stop.
Turn handle counterclockwise to vertical position and open the door.



Close door: Turn the handle to vertical position and close door until stop.
Turn the handle clockwise to stop position and push door lightly inwards until stop.
Turn the handle counterclockwise until vertical position.

Info: The cold handle cover will fall of the door handle if not held in hand.



Place the cold handle cover in its resting position when not in use on the magnetic holder supplied with the stove.

The resting position is at the lower aft end of the right side of the stove.

Chimney

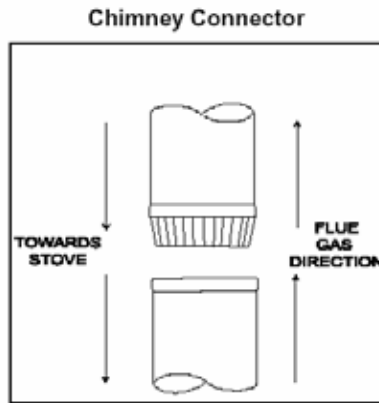
RAIS stoves must be installed using a Class A UL 103 HT approved factory-built chimney system or a code-approved masonry chimney with a flue liner. In Canada, the installation must conform to CAN/CSA-B365.

The chimney must extend through the roof at least 3' (1m), and 2' (.6m) above any structure within 10' (3m).

The condition and height of the chimney are very important for optimal use of the stove and we recommend a total minimum height of 10' (3m).

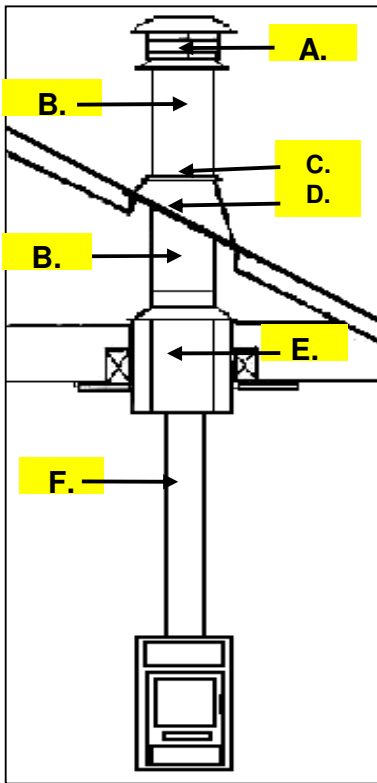
Note the chimney connector pipe should not pass through an attic, roof space, closet, concealed space, floor or ceiling.

Do not connect this stove to a chimney flue or air distribution duct or any system serving another appliance.



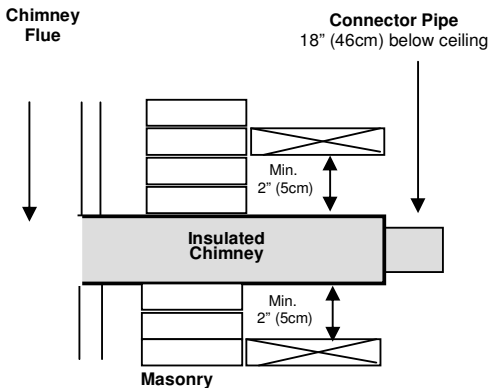
Each chimney connector or stove pipe section, must be installed to each other with the crimped end toward the stove. This prevents any amount of condensed or liquid creosote from running down the outside of the pipe or the stove top.

<p>Required Installation Components:</p> <p>A. Chimney Cap B. Insulated Chimney C. Storm Collar D. Roof Flashing E. Ceiling Support Box or Joist Shield/Firestop Spacer F. Chimney Connector</p>
--



For venting vertically into a Class A chimney, a single wall pipe (at least 24 gauge) may be used in the room where the stove is installed. Refer to the manufacturer's instructions for the connection to the listed chimney. The chimney/stove pipe must not be smaller than 6" (15cm) in diameter.

For venting directly into a masonry chimney or through a thimble, the top of the single wall pipe must be at least 18" (46cm) below a combustible ceiling and must conform to NFPA 211 guidelines and methods. Please see the diagram to the left.



For rear venting or other unlisted configurations, consult the local building codes and follow the NFPA 211 guidelines.

If the stovepipe is fitted with a baffle, it must be manually operated, visibly placed for ease of use, and must not close completely. Consult your chimney expert if you have any questions.

Important note:

Please ensure that there is easy access to the chimney cleanout door.

Installation

IF THIS STOVE IS NOT INSTALLED PROPERLY, A HOME FIRE MAY RESULT. TO REDUCE THIS RISK, PLEASE FOLLOW THE DIRECTIONS FOR INSTALLATION CAREFULLY.

Precautions and Specifications

Before installation, remember to consult your local building inspector or fire marshal to determine the need to obtain a permit. Also enquire about restrictions and installation inspection requirements in your area.

If utilizing an existing chimney, it is recommended that a professional mason or stove installer do a complete check-up of the chimney, liner, and flue beforehand.

In order for the stove to work and draw properly, sufficient air supply is important. Be especially aware of any mechanical fans (e.g. kitchen or bathroom exhaust systems) that may affect the proper draw.

Do not use grates, andirons, or other fuel support methods. Build fire directly on hearth.

Make sure that the floor and the sub-floor of the room in which the stove is installed is designed to carry the extra weight of the stove. The floor protector plate must be made of a non-combustible material.

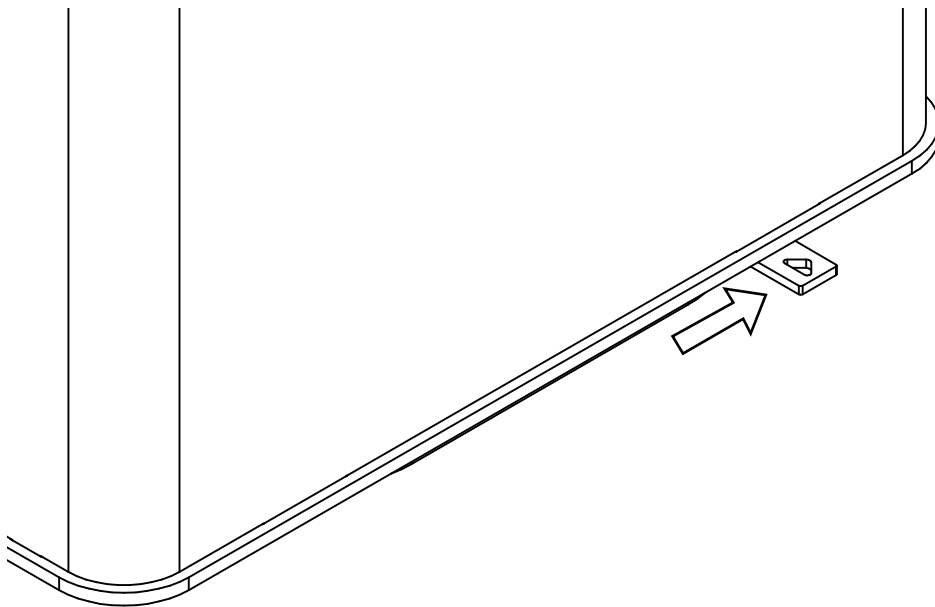
The floor protection plate must lie under the stove and extend 16" (41cm) (18" (45cm) in Canada) in front of the stove door, 8" (20cm) beyond the sides of the fuel-loading door, and under the pipe and 2" (5cm) beyond each side for back venting. In Canada, an 8" (20cm) floor protection is required beyond the sides of the stove and in the back of the stove (0" in the back for the US).

When deciding where to install your stove, the heat distribution to other rooms should be taken into consideration. Put the stove at a safe distance from combustible materials; see the references at the name tag of the stove.

Installation with turntable

If the stove is mounted with a revolving base from the distributor, perform the following:

Push the foot pedal/release arm backwards, after which the stove is turned at intervals of 30°. After reaching the required position, release the pedal, after which the stove is turned slightly until the pedal falls into place.



Manufactured by:

RAIS RAIS A/S
ARTES OF FIRE
Industrivej 20, DK-9900 Frederikshavn, Denmark

Tested to:
UL 1482
ULC S627-00

OMNI LOGO

Model: TOPAS & OPUS
Solid Fuel Room Heater

For Use With Solid Wood Fuel Only

Report No. # 138-S-13-2

Model
Modèle

Date of manufacture
Date of fabrication

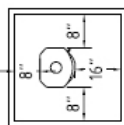
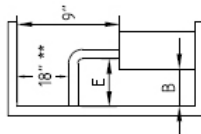
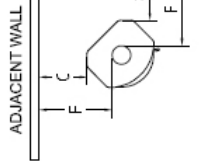
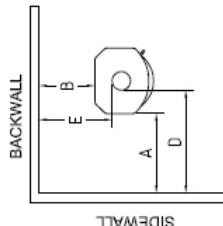
Month
Mois

Year
Année

Serial no.
N° de série

Made in Denmark
Fabriqué au Danemark

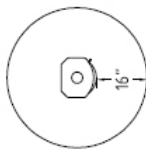
CLEARANCES TO COMBUSTIBLE SURFACES



FRONT

Floor protection for
Canada: 18" (46 cm)
from unit to front of floor protector.

Floor Protector must be under
connector pipe and 2" (5 cm) to the
side for a three wall configuration.



FRONT

Protection de sol pour le
Canada: 18" (46 cm) de l'avant de
l'appareil au bord de la protection.

La protection doit être placée sous le
connecteur des tuyaux avec une distance de
2" (5 cm) de côté pour une configuration à
travers le mur.

FLOOR PROTECTOR

** REAR/TOP VENT OPTION

CLEARANCES TO COMBUSTIBLE SURFACES

MINIMUM CLEARANCES

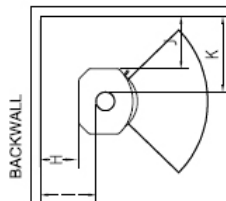
A: SIDEWALL TO UNIT
B: BACKWALL TO UNIT
C: CORNERWALL TO UNIT
D: SIDEWALL TO CONNECTOR
E: SIDEWALL TO CONNECTOR
F: CORNERWALL TO CONNECTOR
G: CEILING TO APPLIANCE
H: BACKWALL TO UNIT
I: SIDEWALL TO UNIT
J: SIDEWALL TO CONNECTOR
K: SIDEWALL TO FRONT WALL
FINISHING
L: CORNERWALL TO CONNECTOR

Escartement minimum
A: Mur latéral - Appareil
B: Mur arrière - Appareil
C: Mur de coin - Appareil
D: Mur latéral - Conduit
E: Mur arrière - Conduit
F: Mur latéral - Conduit
G: Plafond - Appareil
H: Mur arrière - Appareil
I: Mur latérale - Appareil
J: Mur latéral - Appareil
K: Mur latéral - Conduit
L: Distance mesurable
M: Mur de coin - Conduit

7 ft. (17,8 cm)
5 ft. (12,7 cm)
1 ft. (2,5 cm)
14 ft. (35,6 cm)
11 ft. (27,9 cm)
9 ft. (22,9 cm)
15 ft. (38,1 cm)
21 ft. (53,3 cm)
31 ft. (78,7 cm)
38 ft. (96,5 cm)
43 ft. (109,2 cm)
54 ft. (137,2 cm)

**CLEARANCES TO COMBUSTIBLE SURFACES STOVES WITH TURN TABLES

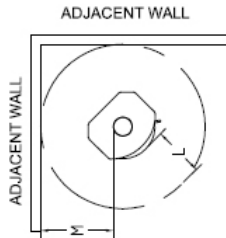
90° TURNABLE



BACKWALL

SIDEWALL

360° TURNABLE



ADJACENT WALL

ADJACENT WALL

** Not Tested - NFPA Guidelines in USA, CAN/CSA E365-M91 in Canada
Floor protection must be minimum 3/8 inch non-combustible material extending
beneath the stove, and to the front and sides from door opening and to the rear
as indicated.

** Non testé - NFPA Guidelines au USA, CAN/CSA E365-M91 au Canada
La protection de sol doit être au moins de 3/8 inch matériel non combustible
placé sous le foyer s'étendant vers l'avant, les côtés les ouvertures et l'arrière
comme indiqué.

TO PREVENT HOUSE FIRES

Contact local Building or Fire officials about restrictions and installation inspection in your area.

Install and use only in accordance with manufacturer's installation and operating instructions and local codes. In absence of any local codes, installation must meet minimum requirements of NFPA 211 in USA, and B365 in Canada.

Refer to manufacturer's instructions and local codes for precautions required for passing chimney through a combustible wall or ceiling. Inspect and clean chimney system frequently. In accordance with manufacturer's instruction.

Do not connect this stove to a chimney flue serving another appliance.

Do not use grate or elevated fire.

Build wood fire directly on hearth.

Flue connector pipe must be 6 inch diameter, minimum single wall 24 msg black or 25 msg blued steel.

Chimney must be factory built 6" diameter Class "A" -103 HT, or masonry.

TO PREVENT CREOSOTE FIRES

Inspect and clean chimney frequently - Under certain conditions of use, creosote buildup may occur rapidly.

Do not use other fuels than Fire wood.

CAUTION: Fully open combustion air control before opening the fuel feed door.

CAUTION: Only operate the wood heater with the doors closed.



CAUTION:

HOT WHILE IN OPERATION-DO NOT TOUCH KEEP CHILDREN AND CLOTHING AWAY- CONTACT MAY CAUSE SKIN BURNS. SEE NAMEPLATE AND INSTRUCTIONS. KEEP FURNISHINGS AND OTHER COMBUSTIBLE MATERIALS A CONSIDERABLE DISTANCE AWAY FROM THE APPLIANCE.

Do not overfire - If heater or chimney connector glows, you are overfiring.

U.S. ENVIRONMENTAL PROTECTION AGENCY

Certified to comply with July, 1990 particulate emission standards.

DO NOT REMOVE THIS LABEL / NE PAS ENLEVER CETTE ÉTIQUETTE

POUR EVITER LES INCENDIES DOMESTIQUES
Contactez les Autorités des Bâtiments et des pompiers concernant les restrictions et Inspections d'Installation dans votre région.

Installez et utilisez cet appareil uniquement en respectant les Instructions d'Installation et d'Utilisation du fabricant.

Respectez aussi les réglementations locales.

En l'absence de réglementations locales, l'Installation doit respecter les normes minimums de NFPA 211 aux USA et B365 au Canada.

Référez-vous aux instructions du fabricant et règlement locaux concernant les précautions nécessaires à prendre pour le passage de la cheminée à travers une paroi ou un plafond combustible.

Inspectez et nettoyez le système de cheminée fréquemment selon les Instructions du fabricant.

Ne connectez pas ce poêle à un conduit de cheminée utilisée par un autre appareil.

N'utilisez pas de grille et ne faites pas monter le feu.

Établissez le feu de bois directement dans l'âtre.

Le tuyau de connexion au conduit doit avoir un diamètre de 6 inch, minimum simple conduit, 24 msg acier noir ou 25 msg acier blui.

La cheminée doit être une fabrication de 6" de diamètre Class "A" -103 HT, ou en maçonnerie.

POUR EVITER LES FEUX DE CREOSOTE

Inspectez et nettoyez la cheminée régulièrement - Sous certaines condition d'emploi, la creosote peut s'accumuler rapidement.

Ne pas utiliser d'autres combustibles que le bois.

AVIS: Ouvrez complètement le contrôle d'air de combustion avant d'ouvrir la porte du foyer.

AVIS: Seulement se servir du poêle portes fermées.

ATTENTION:

CHAUD PENDANT LE FONCTIONNEMENT - NE PAS TOUCHER ECARTEZ LES ENFANTS ET LES VETEMENTS- LE CONTACT PEU CAUSER DES BRULURES. CONSULTEZ LA PLAQUE ET LES INSTRUCTIONS. TENIR LES MEUBLES ET AUTRES MATIERES COMBUSTIBLES A GRANDE DISTANCE DE L'APPAREIL.

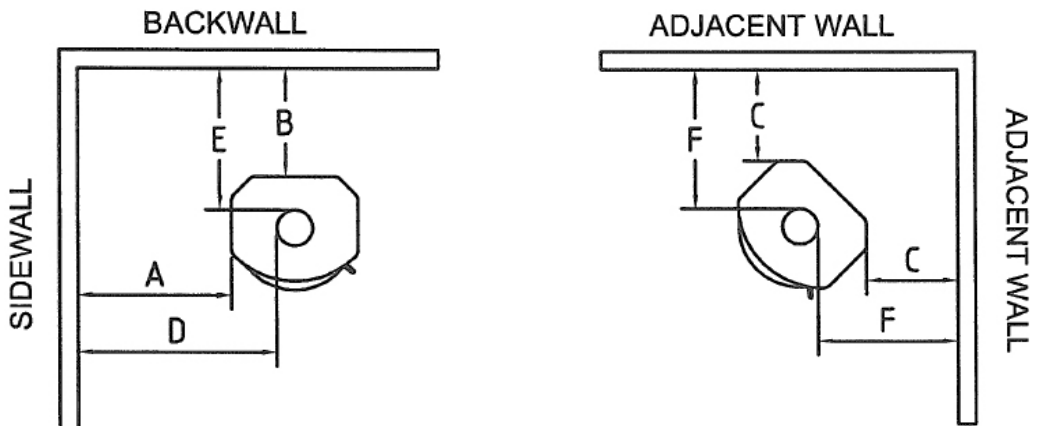
Évitez de surchauffer-si le feu ou la cheminée rougeoie, vous surchauffez.

Clearance to combustibile walls

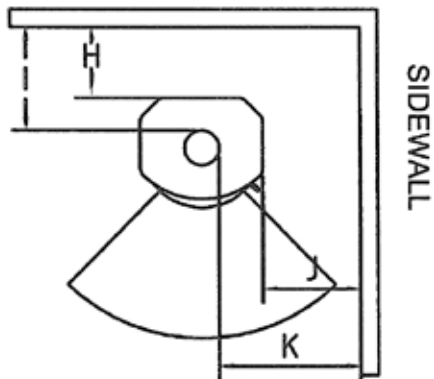
To find out whether the wall by which the stove is to be placed is combustibile or not, please contact your architect or the local building authorities.

If the floor is combustibile, the stove must be placed on a non-combustibile plate such as steel, glass or stone.

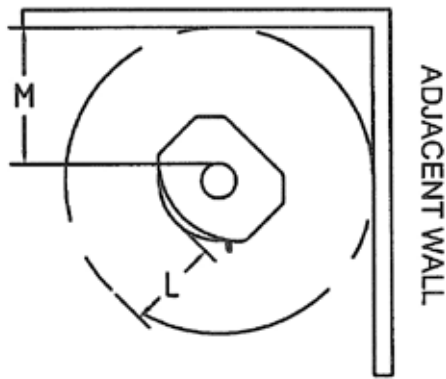
Ref.	Description	Minimum clearance
A	Sidewall to unit	7" (17.8 cm)
B	Backwall to unit	5" (12.7 cm)
C	Cornerwall to unit	1" (2.5 cm)
D	Sidewall to connector	14" (35.6 cm)
E	Backwall to connector	11" (27.9 cm)
F	Cornerwall to connector	11" (27.9 cm)
G	Ceiling to appliance	9" (22.9 cm)
H	Backwall to unit	15" (38.1 cm)
I	Backwall to connector	21" (53.3 cm)
J	Sidewall to unit	31" (78.7 cm)
K	Sidewall to connector	38" (96.5 cm)
L	Distance to frontwall/furnishing	43" (109.2 cm)
M	Cornerwall to connector	54" (137.2 cm)



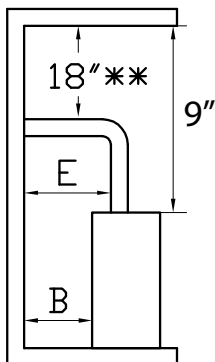
90° TURNABLE
BACKWALL



360° TURNABLE
ADJACENT WALL



** REAR/TOP VENT OPTION
CEILING



**:

Please refer to NFPA guidelines in USA and CAN/CSA B365-M91 in Canada.

Clearance to non-combustible wall

We recommend a minimum clearance to non-combustible material of at least 2" (50 mm) so that cleaning is easy. The cleaning door should be accessible at all times.

Clearances may only be reduced by means approved by the regulatory authority.

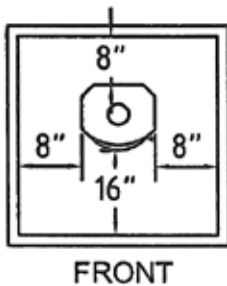
Floor protection

Floor protection must be non-combustible material extending beneath the stove, and to the front and sides from door opening and to rear as indicated.

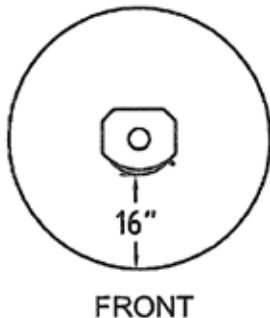
Floor protection for Canada: 18" (45 cm) from unit to front of floor protector.

Floor protector must be under connector pipe an 2" (5 cm) to the side for a thru-the wall configuration.

FLOOR PROTECTOR



FLOOR PROTECTOR TURNABLE



Firewood

Only burn wood that has been seasoned for at least one full year (two years is better). If the wood has not been seasoned or dried, energy will be lost in evaporating the water held in the wood. Furthermore, condensation or creosote might occur in the stove and pipe when damp wood is burnt.

Freshly cut wood contains approx. 60-70% water and is completely unsuited for burning.

Log size should be about 2" (5 cm) less than the width of the firebox

NEVER BURN TRASH (PLASTIC AND OTHER TYPES OF ARTIFICIAL MATERIALS EMIT HARMFUL GASES), DRIFTWOOD, TREATED OR PAINTED WOOD, ARTIFICIAL LOGS OR NON-SEASONED WOOD.

All types of wood heat equally per pound; however, the density of wood is not the same as is shown in the table below, where the combustible value of wood dried for two years with a moisture of 15-20% is taken into account. See table to the left.

Drying and storage

Wood to be used for burning in a stove should be dried for two years to ensure optimal burning.

Here are some storage tips:

- Cut and split the wood before storing.
- Keep the woodpile in a dry sunny place, protected from the rain. Do not cover the pile with plastic, because that prevents the wood from drying properly.
- Stack the wood with enough space between the rows to ensure good air circulation.
- Bring the logs inside the house two-three days prior to use.

Wood type	Dry wood kg/m ³	In comparison to beech
Beech and oak	580	100 %
Ash	570	98 %
Maple	540	93 %
Birch	510	88 %
Mountain pine	480	83 %
Fir	390	67 %
Poplar	380	65 %

DO NOT STORE SOLID FUEL WITHIN SPACE HEATER INSTALLATION CLEARANCES OR WITHIN THE SPACE REQUIRED FOR CHARGING AND ASH REMOVAL.

Adjusting the combustion air

All RAIS stoves are equipped with an easy-to-use handle for adjusting the air control. For the various positions of the control please see the following illustrations. To ensure proper combustion process it is very important to supply the correct quantity of air at the right time and place. The adjustment range made from factory may not be altered for increasing firing for any reason.

Primary air is defined as combustion air for burning the mass of wood and stimulates production of volatile gases.

Secondary air is used to burn off the gases at high temperatures (above 1,000°F/540°C) and to keep the glass free of soot. The secondary air is let through the air control beneath the combustion chamber and is heated through the side channels, which is then directed to the glass. The warm air runs along the glass, keeping it free of soot.

At the very back of the combustion chamber there is a tertiary channel at the top that helps to combust the remaining gases.

When positioning the air control between Pos. 1 and 2 optimum utilization of the energy contents of the wood is obtained, because of sufficient oxygen for combustion. When the flames burn bright and yellow, the control has been adjusted correctly. Finding the correct position takes some trial and error, but is easy to find.

Never close the air control completely when using the stove. A typical error is to close the control too soon, because the heat gets too intense. This results in the appearance of a dark cloud of smoke from the chimney and that means the energy value of the wood is not being used properly.

It is important for proper control of the fire that the instructions in the manual are followed and the stove door normally is kept closed. It is also necessary to keep the seals in a good condition.



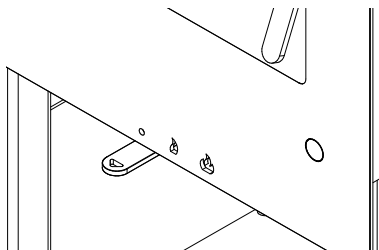
REMEMBER THE STOVE IS HOT WHILE IN OPERATION, SO KEEP CHILDREN, CLOTHING, AND FURNITURE AWAY. CONTACT WITH A STOVE WHEN BURNING MAY CAUSE SKIN BURNS.

Using the stove

Only use wood as fuel as described in the firewood section of this manual.

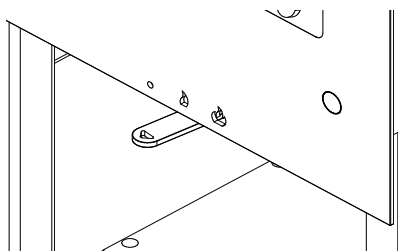
Adjusting the air control

There are three different positions for air control:



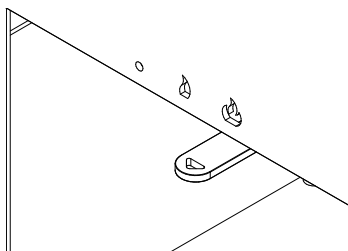
Position 1:

The damper is almost closed meaning that there is a minimal air intake.



Position 2:

Push the handle towards the right until it stops. This position provides full secondary air intake. In the event of ordinary combustion the handle is to be adjusted to the interval between pos. 1 and 2. When the flames are clear and yellow, the damper has been adjusted correctly resulting in slow/optimal combustion.



Position 3:

Pull the handle out, and push it towards the right. The damper is fully open and provides full primary and secondary air intake. This position is for the kindling phase and is not used in connection with normal operation.

Control

If the ashes are white and the combustion chamber walls not covered with soot, the air adjustment has been correct and the wood sufficiently dry.

First Fire

Your new RAIS should be broken into gently for top performance and to prevent paint damage, cracks in the firebrick, and excessive wear and tear. Start with a small fire (never overload the firebox) to allow the materials to get accustomed to the higher temperatures, and then gradually increase the intensity. Use up to a maximum of two logs.

For the first few fires you may detect a strange smell that comes from heat treating the paint and materials. This is normal and will soon disappear. Just ensure there is plenty of fresh air in the room. Furthermore, during the initial heating up and cooling down, the metal may emanate some clicking sounds due to being exposed to the large differences in temperature. This is normal as well.

For wood to burn properly, the right amount of air has to be supplied at the right time and place.

Lighting and Stoking



To light the stove, use alcohol briquettes or similar, as well as approx. 2 kg of firewood, split into kindling sticks. Set the air damper to the fully open position.

Be careful not to place the firewood too close to the opening and glass.



TIPS before firing up:

Open a door or window close to the wood burning stove.

If there is a "storm" in the stove coming from the chimney, it is advisable to place a screwed-up piece of newspaper between the upper baffle plate and the chimney, set the paper on fire, and wait until you hear a "rumbling" noise in the chimney. This means that there definitely is a draught in the chimney and you avoid smoke in the room.



Light the fire and shut the door, leaving an open gap of approx. 10-15 mm.



When the flames are clear - after approx. 5-10 min.
- close the door.

Damper - see adjustment of air damper.



After approx. 10-20 min. - when you have a good
bed of glowing embers - add 2-3 pieces of wood.

Be careful not to place the firewood too close to the
opening and glass.

Leave the door ajar until the fire has caught on
properly - close the door.

Damper - see adjustment of air damper.



After approx. 5 min. - or when the flames are clear
and stable - close the damper gradually.

It is recommendable to have a layer of ash of approx.
20 mm, as it has an insulating effect.



Note!
During operation the
door should always
remain shut.



Fuel caution

Do not burn trash (plastic and other artificial materials emit harmful gases), driftwood, treated wood, artificial logs, or non-seasoned wood.

Never use gasoline, gasoline-type lantern fuel, kerosene, charcoal lighter fluid, naphtha, engine oil, or similar liquids to start or freshen up a fire in your RAIS stove. Keep all such liquids well away from the stove while it is in use.

Care and maintenance

You should have your chimney and stove checked once every two months during the heating season or at least once a year by a professional chimney sweep and cleaned as needed.

When cleaning the stove carefully inspect the seals for damage. The seals should be in good conditions and without damage.

When cleaning, checking or repairing, the stove must be cold.

If the glass has been covered in soot, here is a simple piece of advice:

- Dampen a piece of paper or newspaper, dip it into the cold ashes and rub the soot-covered glass.
- Use another piece of paper to polish the glass.
- A good commercial glass cleaner can also be used.
- Do not use abrasive cleaners.

The outer surfaces can be wiped with a soft, dry rag and if needed a small amount of mild detergent. NEVER scrub the surfaces.

Cleaning the soapstone:

Day-to-day cleaning can be made with a damp rag. If necessary the soapstone can be carefully cleaned with some paint-thinner from the hardware store. For difficult stains that cannot be dissolved by the paint-thinner, lightly sand them.

Cleaning the combustion chamber:

Rake out the ashes and store them in a metal container with a tight-fitting lid until cooled completely before throwing them in the trash can. Other waste shall not be placed in this container.

Remember NEVER to clean all ashes from the combustion chamber. Leave about a 3/4" layer for better combustion.

Cleaning of smoke chicane



Remove the smoke converter plate by tilting it to one side and turning it a little slantwise. Pull out the plate carefully.



Then remove the smoke impediment by lifting it up and moving it forward. Carefully lift out the smoke impediment.



There is now an unblocked view of the smoke discharge. Remove dirt and dust, and mount the parts in reverse order.

CREOSOTE FORMATION AND NEED FOR REMOVAL

WHEN WOOD IS BURNED SLOWLY, IT PRODUCES TAR AND OTHER ORGANIC VAPORS, WHICH COMBINE WITH EXPELLED MOISTURE TO FORM CREOSOTE. THE CREOSOTE VAPORS CONDENSE IN THE RELATIVELY COOL CHIMNEY FLUE OF A SLOW-BURNING FIRE. AS A RESULT, CREOSOTE RESIDUE ACCUMULATES ON THE FLUE LINING. WHEN IGNITED, THIS CREOSOTE MAKES AN EXTREMELY HOT FIRE. THE CHIMNEY AND CHIMNEY CONNECTOR SHOULD BE INSPECTED AT LEAST ONCE EVERY TWO MONTHS DURING THE HEATING SEASON TO DETERMINE IF A CREOSOTE BUILDUP HAS OCCURRED. IF CREOSOTE HAS ACCUMULATED, IT SHOULD BE REMOVED TO REDUCE THE RISK OF A CHIMNEY FIRE.

DISPOSAL OF ASHES

ASHES SHOULD BE PLACED IN A METAL CONTAINER WITH A TIGHTFITTING LID. THE CLOSED CONTAINER OF ASHES SHOULD BE PLACED ON A NONCOMBUSTIBLE FLOOR OR ON THE GROUND, WELL AWAY FROM ALL COMBUSTIBLE MATERIALS, PENDING FINAL DISPOSAL. IF THE ASHES ARE DISPOSED OF BY BURIAL IN SOIL OR OTHERWISE LOCALLY DISPERSED, THEY SHOULD BE RETAINED IN THE CLOSED CONTAINER UNTIL ALL EMBERS HAVE THOROUGHLY COOLED. OTHER WASTE SHALL NOT BE PLACED IN THIS CONTAINER.

The firebox bottom lining is made out of firebrick and the side lining is made out of vermiculite slab insulation (skamol), which protects the outer steel plates from overheating. With time small cracks might appear; this is normal. If it breaks however, it must be replaced. Vermiculite is a porous, high-insulated material and must therefore be handled with care.

Trouble Shooting

Smoke seeping through the door:

- Not enough draft in the chimney (<12 Pa)
- Check if there are any obstructions in the chimney or the wind pipe
- Check whether the kitchen exhaust fan is in use and if so, turn it off and open the window for a short period of time

Soot on the glass:

- The wood is too damp
- Make sure that the stove is sufficiently heated up before closing the door
- The air control has been set too low

The stove burns too quickly:

- Gasket may not be tight, please check and replace if necessary
- Chimney draft maybe too high >22 Pa, if this is the case, please install a damper

The stove is burning too slowly:

- Not sufficient amount of firewood
- Not enough air is getting into the stove
- Blocked chimney
- Leaking chimney
- Leak between chimney and pipe

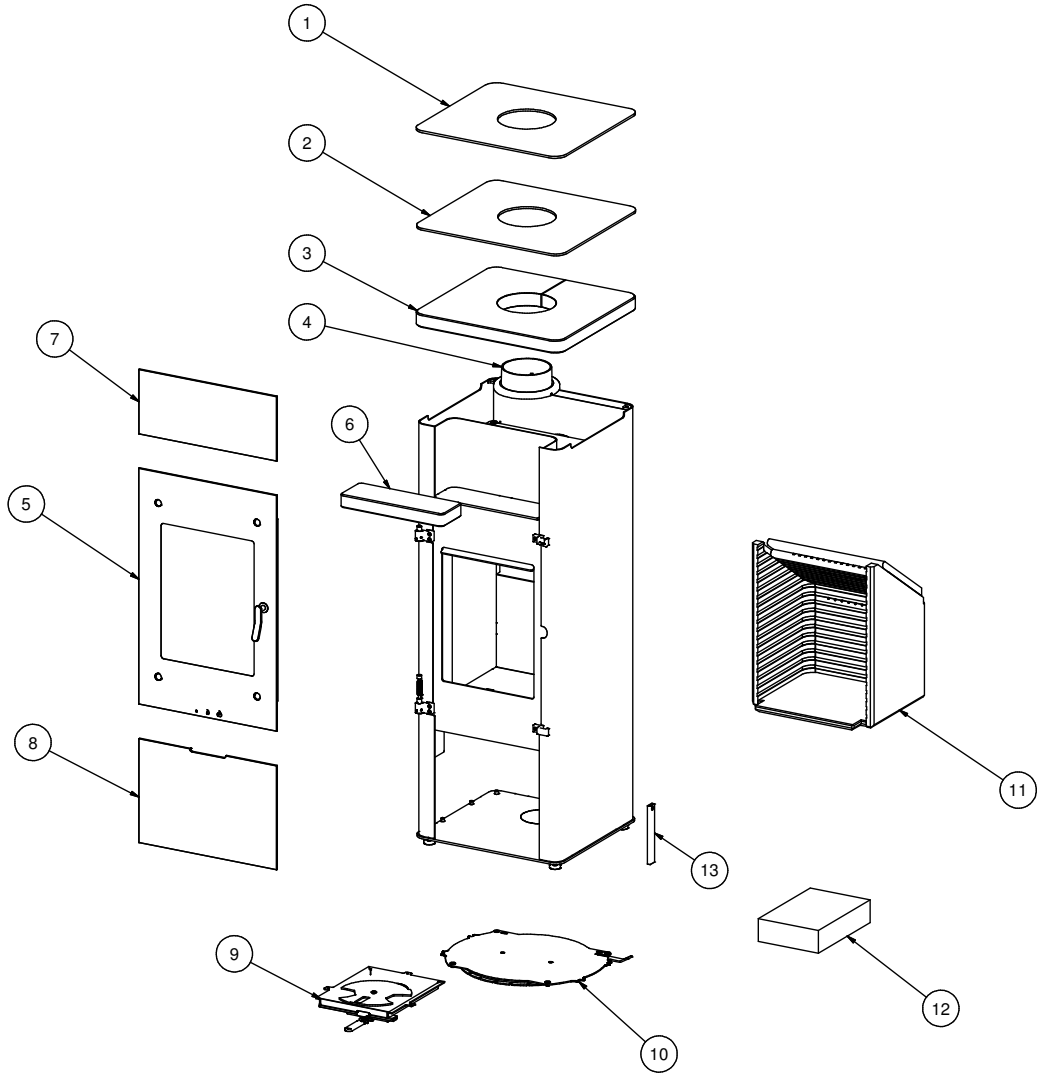
If the problems continue we recommend contacting your chimney sweep or your local RAIS dealer.

Chimney fire, soot fire or creosote fire:

In case of a fire in the chimney quickly close all doors, dampers, vents and call your local fire department. NEVER use water to extinguish the fire.

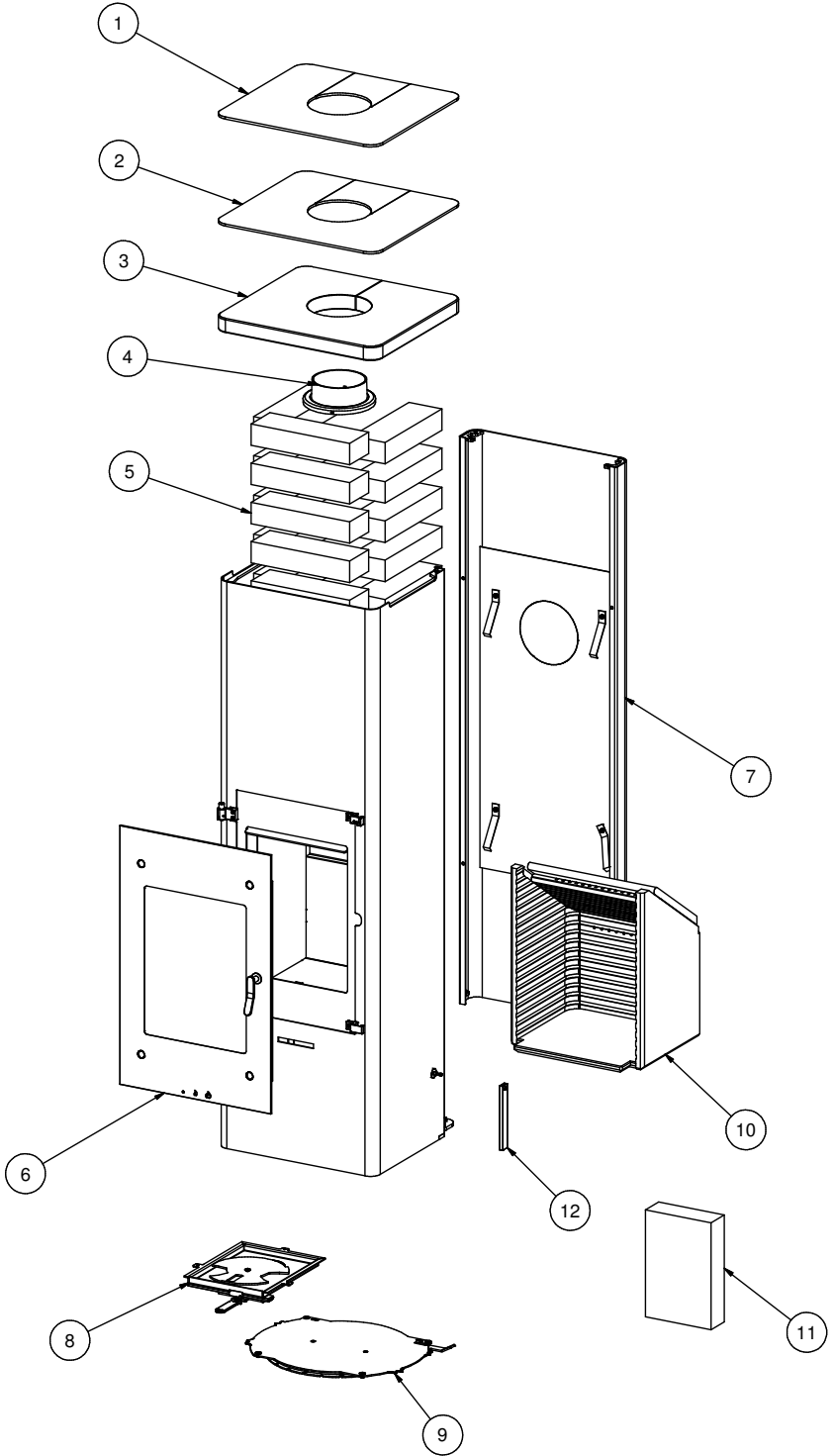
Spare part drawing - Topas

Pos./Ref.	Quantity	Part no./description
1	1	530060290/95 Top plate with hole
2	1	530061280 Stainless steel top plate with hole
3	1	5307002 Soapstone top plate with hole
4	1	8142390 Swivel base pipe connection
5	1	5301090 Door
6	1	5307004 Baking compartment soapstone
7	1	5300890 Covering for baking compartment
8	1	5303790 Storage door
9	1	5300990100 Air system
10	1	5301595 Swivel base
11	1	5302200100 Firebrick set
12	1	5305500 Seal set
13	1	5301018 Cold handle cover



Spare part drawing - Opus

Pos./Ref.	Quantity	Part no./description
1	1	530060290/95 Top plate with hole
2	1	530061280 Stainless steel top plate with hole
3	1	5307002 Soapstone top plate with hole
4	1	8142390 Swivel base pipe connection
5	20	5607020 Soapstone mass stone
6	1	5301090 Door
7	1	560070190/95 Back panel
8	1	5300990100 Air system
9	1	5301595 Swivel base
10	1	5302200100 Firebrick set
11	1	5305500 Seal set
12	1	5301018 Cold handle cover



RAIS Topas

RAIS Opus

Rapport OMNI n^o.: #138-S-13-2

Révision : 1

Date : Juin, 2008

INTRODUCTION	38
GARANTIE	38
SPECIFICATIONS	39
CONVECTION	40
VITRE ET REMPLACEMENT DE LA VITRE.....	40
ENVELOPPE DE POIGNÉE FROIDE	41
CHEMINEE	42-43
INSTALLATION	44
INSTALLATION AVEC PLAQUE TOURNANTE	45
ETIQUETTE	46-47
DISTANCES A DES PAROIS COMBUSTIBLES	50-51
DISTANCES A DES PAROIS NON COMBUSTIBLES	52
PROTECTION DE SOL	52
BOIS A BRULER	53
SECHAGE ET STOCKAGE	53
REGLAGE DE LA COMBUSTION D'AIR	54
UTILISATION DU POELE	55
REGLAGE DE L'ARRIVEE D'AIR	55
CONTROLE	55
PREMIER FEU	56
ALLUMAGE ET ENTRETIEN DU FEU	58-59
PRECAUTIONS A PRENDRE	60
ENTRETIEN ET MAINTENANCE	60
NETTOYAGE DU SYSTEME DE FUMEE/DEFLECTEUR	61
ELIMINATION DES CENDRES	62
DEPANNAGE	63
DIAGRAMMES DE PIECES DETACHEES Rais Topas	64-65
DIAGRAMMES DE PIECES DETACHEES Rais Opus	66-67

Introduction

Félicitations pour l'achat de votre nouveau poêle à bois RAIS.

Un poêle à bois RAIS est plus qu'une simple source de chaleur. C'est le symbole même des efforts que vous réalisez pour décorer votre foyer à l'aide de produits originaux de haute qualité.

VEUILLEZ LIRE ENTIEREMENT CE MANUEL AVANT D'INSTALLER ET D'UTILISER VOTRE NOUVEAU POELE RAIS. LE NON RESPECT DES INSTRUCTIONS QU'IL CONTIENT PEUT ENTRAÎNER DES DOMMAGES MATERIELS, DES BLESSURES CORPORELLES ET MEME LA MORT. GARDEZ-LE À PORTEE DE MAIN, AFIN DE POUVOIR LE CONSULTER EN CAS DE BESOIN.

Tests de sécurité et de respect de l'environnement

Les poêles de la série Topas/Opus de RAIS ont été testés par le laboratoire OMNI-Test Laboratories, Inc. de Beaverton, Oregon et sont conformes aux normes UL 1482 et ULC S627. Ils sont aussi homologués EPA et satisfont aux sévères normes en matière d'environnement de l'Etat de Washington.

A titre de référence, écrivez le numéro de production de votre poêle à bois RAIS ici. Ce numéro doit être indiqué lors de toute question ou réclamation concernant ce produit.

Garantie

Nous proposons une garantie de cinq ans sur votre poêle RAIS. Cette garantie couvre tous les défauts de matériau ou de main--d'œuvre. Cependant, elle ne couvre pas les dommages dus à une mauvaise utilisation ou à une négligence ni la vitre, les joints et les briques réfractaires.

RAIS A/S	
Industrivej 20, Vangen 9900 Frederikshavn	
○	○
Prod.nr.	<input type="text"/>

Caractéristiques techniques:

	RAIS Topas	RAIS Opus
Poids - poêle Bloc de stéatite	364 lbs (165 kg)	397 lbs (180 kg) 220 lbs (100 kg)
Poêle extérieur :Largeur/profondeur/hauteur (en pouces)	19.5 / 19.1 / 50.4	19.5 / 19.1 / 63.0
Largeur/profondeur/hauteur intérieure du foyer (en pouces)	14,6 / 15,0 / 16,2	
Capacité de chauffage à -20°C/-4°F	Environ 90 m ² / 1000 pieds carrés	
Quantité de bois recommandée:	2-3 bûches de 10" de long chaque 1.5 kg / 3.3 livres	
Fonctionnement intermittent:	Entretenez le feu toutes les trois heures	
Flux de masse du gaz dans le conduit:	6.4 grammess par seconde	
Température du gaz dans le conduit:	232°C / 450°F	
Tuyau de poêle à connecteur mural unique:	6" (15 cm)	
Tuyau de cheminée - Classe A, UL-103 HT:	6" (15 cm)	
Régime thermique optimum :	17 kBTU (5 kW)	
Régime mini/maxi (kW):	12 - 23 kBTU (3 - 7 kW)	
Pression théorique de poêle minimum en surrégime:	12 Pascals (0.048"WC)	
Taux d'émission de particules EPA selon tests:	5.7 grammes/heure	

Convection

Tous les poêles RAIS sont des poêles à convection, si bien que leurs parois ne chauffent jamais outre-mesure. La convection consiste à insuffler de l'air froid dans le système à la base du poêle et à le faire monter dans le conduit de convection situé le long de la chambre de combustion du poêle. L'air chaud s'échappe par le haut du poêle, d'où la création d'une circulation d'air rapide dans la pièce.

Vitre et remplacement de la vitre.

Tous les poêles RAIS sont fournis avec une vitre Robax® dans la porte. Le verre Robax® est un type de verre céramique adapté aux poêles. La vitre est installée par RAIS en tant que partie intégrante de la porte.

Vérifiez l'absence de fissures dans la vitre avant le premier feu.

Les mauvais traitements peuvent provoquer des dégâts au niveau de la vitre et de la porte. Évitez de heurter la porte ou la vitre, et de refermer violemment la porte. Évitez de faire démarrer le feu trop près de la vitre ou de l'ouverture.

Évitez d'utiliser le poêle si la vitre est cassée ; dans ce cas, prenez contact avec votre revendeur agréé.

Si la vitre se fend lors de l'utilisation du poêle, laissez celui-ci brûler doucement le reste des braises sous surveillance. Évitez de fermer le déflecteur de cheminée si le poêle en est équipé. Prenez contact avec le revendeur agréé le plus proche de votre domicile.

La vitre est fournie en tant que partie intégrante de la porte. Le verre Robax® ne doit être remplacé qu'à l'aide de pièces détachées d'origine de RAIS. Évitez d'utiliser des matériaux de remplacement. Le remplacement de la vitre doit être impérativement effectué par du personnel agréé.

Enveloppe de poignée froide



Le poêle est équipé d'une enveloppe de poignée amovible « isolante », qui permet de manœuvrer la poignée sans gant. Faites cependant toujours très attention lorsque vous touchez une autre partie quelconque du poêle, si celui-ci est encore chaud.

L'enveloppe de poignée froide amovible est placée sur la poignée de porte.

Ouverture de la porte : Tournez la poignée dans le sens horaire pour arrêter et tirez-la d'environ $\frac{1}{4}$ de tour vers l'extérieur jusqu'à la butée. Tournez la poignée dans le sens anti-horaire jusqu'à ce qu'elle soit en position verticale et ouvrez la porte.



Fermeture de la porte : Tournez la poignée jusqu'à ce qu'elle soit en position verticale et fermez la porte jusqu'à la butée. Tournez la poignée dans le sens horaire jusqu'à la position arrêt et appuyez légèrement sur la porte vers l'intérieur jusqu'à la butée. Tournez la poignée dans le sens anti-horaire jusqu'à ce qu'elle soit en position verticale.



Placez l'enveloppe de poignée froide en position de repos en dehors des périodes d'utilisation sur le support magnétique fourni avec le poêle.

La position de repos est située sur la partie inférieure, du côté droit du poêle.

Infos :

L'enveloppe de poignée froide risque de tomber si vous ne la tenez pas.

Placez l'enveloppe de poignée froide sur son reposoir en dehors des périodes d'utilisation.

Cheminée

Les poêles RAIS doivent être installés à l'aide d'un système de cheminée intégrée homologué UL 103 HT de classe A ou d'une cheminée maçonnée homologuée équipée d'une gaine de conduit. Au Canada, l'installation doit être conforme à la norme CAN/CSA-B365.

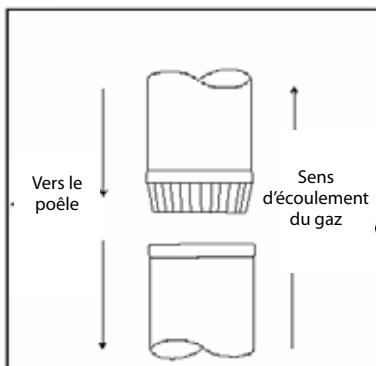
La cheminée doit dépasser du toit d'au moins 3' (1 m), et de 2' (0,6 m) par rapport à toute structure située à moins de 10' (3 m).

Les caractéristiques et la hauteur de la cheminée jouent un rôle très important dans l'utilisation optimale du poêle et nous recommandons une hauteur totale de 10' (3 m).

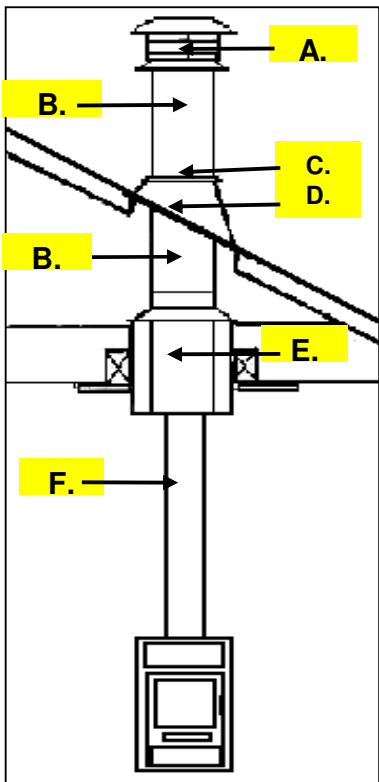
Remarque : Le tuyau de connexion de la cheminée ne doit pas traverser de grenier, d'espace sous toit, d'armoire, d'espace confiné, de plancher ou de plafond.

Évitez de connecter ce poêle à un conduit de cheminée ou à une conduite de distribution d'air ou à tout système branché sur un autre appareil.

Connecteur de cheminée



Tous les connecteurs de cheminée et sections de tuyau de poêle doivent être fixés les uns aux autres avec l'extrémité sertie dirigée vers le poêle. Cela permet d'éviter les débordements éventuels de créosote condensée ou liquide hors du tuyau ou de la partie supérieure du poêle.



Éléments d'installation obligatoires:

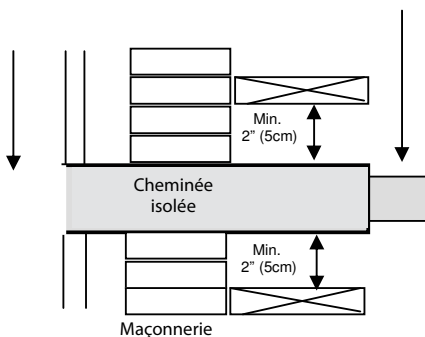
- A. Couvercle de cheminée
- B. Cheminée isolée
- C. Collier tempête
- D. Raccord de toit
- E. Boîte de support de plafond ou entretoise de bouclier/protection incendie
- F. Connecteur de cheminée

Pour une évacuation verticale dans une cheminée de classe A, un tuyau mural unique (de diamètre minimum 24) peut être utilisé dans la pièce où est installé le poêle. Reportez-vous aux instructions du fabricant pour la connexion à la cheminée considérée. Le diamètre du tuyau de cheminée/poêle ne doit pas être inférieur à 6" (15 cm).

Pour une évacuation directement dans une cheminée maçonnée ou par le biais d'une virole, le haut du tuyau mural individuel doit être situé au moins à 18" (46 cm) en dessous de tout plafond combustible et être conforme aux directives et méthodes NFPA 211. Reportez-vous au diagramme de gauche.

Conduit de cheminée

Tuyau de connexion
18"(46 cm) sous plafond



Pour l'évacuation arrière ou d'autres configurations non représentées, veuillez vous reporter aux normes de construction locales et respecter les directives NFPA 211.

Si le tuyau de poêle est équipé d'un déflecteur, il doit être actionné manuellement, placé de façon visible pour en faciliter l'utilisation et ne doit pas fermer complètement. Consultez votre expert en cheminées pour toute question éventuelle.

Remarque importante :

Assurez-vous que la porte de nettoyage de la cheminée est facilement accessible.

Installation

SI CE POËLE N'EST PAS INSTALLÉ CORRECTEMENT, IL RISQUE DE PROVOQUER UN INCENDIE DOMESTIQUE. POUR RÉDUIRE CE RISQUE, VEUILLEZ RESPECTER SCRUPULEUSEMENT LES INSTRUCTIONS D'INSTALLATION.

Précautions et caractéristiques techniques:

Consultez l'inspecteur de la construction ou le commissaire des incendies le plus proche de votre domicile avant l'installation, afin de déterminer s'il est nécessaire d'obtenir un permis. Vérifiez également l'existence ou non de restrictions et de conditions d'inspection des installations dans votre zone.

Si vous utilisez une cheminée existante, nous vous suggérons de demander à un maçon ou à un installateur de poêles professionnel d'effectuer une inspection complète préalable de votre cheminée, de la gaine et du conduit.

Pour que le poêle fonctionne et tire correctement, il faut disposer d'une arrivée d'air suffisante ! Vérifiez en particulier la présence éventuelle de ventilateurs mécaniques (de cuisine ou de salle d'eau notamment), susceptibles d'affecter la qualité du tirage.

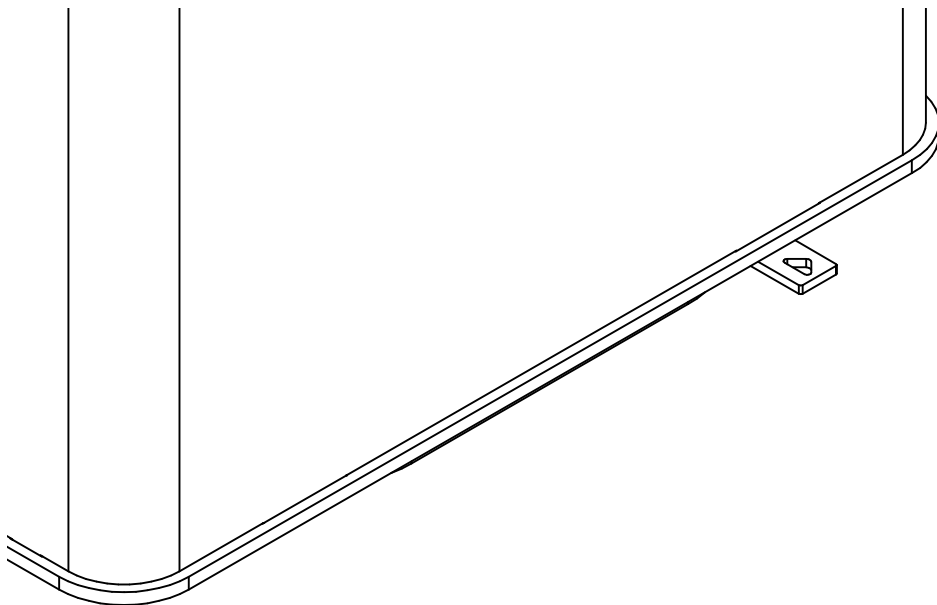
Vérifiez que le sol et le sous-sol de la pièce dans laquelle le poêle est installé sont conçus pour supporter la surcharge pondérale due au poêle. Le protecteur de sol ou la plaque doivent être fabriqués à l'aide d'un matériau non combustible.

La plaque de sol doit couvrir la partie située sous le poêle et dépasser de 16" (41 cm) (18" (45 cm) au Canada) devant la porte du poêle, de 8" (20 cm) des deux côtés de la porte de chargement du combustible, ainsi que sous le tuyau et de 2" (5 cm) des deux côtés de la ventilation arrière. Au Canada, une protection de sol de 8" (20 cm) est obligatoire des deux côtés et à l'arrière du poêle (0" à l'arrière aux EU).

Lors de l'installation du poêle, tenez compte de la diffusion de la chaleur au niveau des autres pièces. Placez le poêle à bonne distance des matériaux combustibles ; reportez-vous aux références sur l'étiquette du poêle.

Installation avec base tournante

Si le poêle est livré avec une base tournante par le distributeur, procédez comme suit : Poussez la pédale ou le bras de dégagement vers l'arrière, puis faites pivoter le poêle par intervalles de 30°. Une fois la position souhaitée atteinte, relâchez la pédale, puis tournez légèrement le poêle jusqu'à l'enclenchement de la pédale.



OMNI LOGO

Manufactured by:



RAIS A/S
Industrivej 20, DK-9900 Frederikshavn, Denmark

Tested to:
UL 1482
ULC S627-00

Model: TOPAS & OPUS
Solid Fuel Room Heater

For Use With Solid Wood Fuel Only

Report No. #135-S-13-2

Model /
Modèle

Serial no. /
N° de série

Year /
Année

Month /
Mois

Year /
Année

Month /
Mois

Date of manufacture /
Date of fabrication

Date of manufacture /
Date of fabrication

Model /
Modèle

Serial no. /
N° de série

Year /
Année

Month /
Mois

Year /
Année

Month /
Mois

Year /
Année

Month /
Mois

Date of manufacture /
Date of fabrication

Date of manufacture /
Date of fabrication

Model /
Modèle

Serial no. /
N° de série

Year /
Année

Month /
Mois

Year /
Année

Month /
Mois

Year /
Année

Month /
Mois

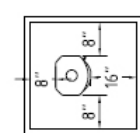
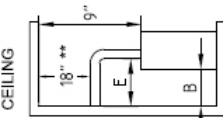
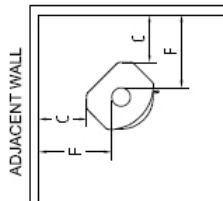
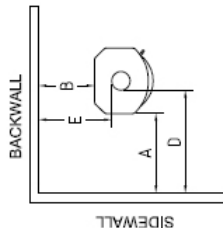
Date of manufacture /
Date of fabrication

Date of manufacture /
Date of fabrication

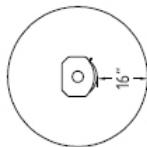
Model /
Modèle

Serial no. /
N° de série

CLEARANCES TO COMBUSTIBLE SURFACES



FRONT
Floor protection for
Canasas; 16" (46 cm)
from unit to front of floor protector.
Floor Protector must be under
connector pipe and 2" (5 cm) to the
side for a thru-the wall configuration.



FRONT
Protection de sol pour le
Canasas; 16" (46 cm) de l'avant de
l'appareil au bord de la protection.
La protection doit être placée sous le
câblage de cheminée avec une distance de
2" (5 cm) de côté pour une connexion à
travers le mur.

FLOOR PROTECTOR TURNABLE

FLOOR PROTECTOR

** REAR/TOP VENT OPTION

CLEARANCES TO COMBUSTIBLE SURFACES

**CLEARANCES TO COMBUSTIBLE SURFACES STOVES WITH TURN TABLES

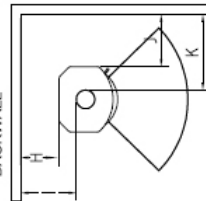
MINIMUM CLEARANCES

- A: SIDEWALL TO UNIT 7 ft. (17,8 cm)
- B: BACKWALL TO UNIT 5 ft. (12,7 cm)
- C: CORNERWALL TO UNIT 1 ft. (2,5 cm)
- D: BACKWALL TO CONNECTOR 11 ft. (27,9 cm)
- E: CORNERWALL TO CONNECTOR 11 ft. (27,9 cm)
- F: CEILING TO APPLIANCE 9 ft. (22,9 cm)
- G: BACKWALL TO UNIT 21 ft. (63,3 cm)
- H: SIDEWALL TO UNIT 31 ft. (76,7 cm)
- I: CORNERWALL TO UNIT 38 ft. (96,5 cm)
- J: DISTANCE TO FRONT WALL FURNISHING: 43 ft. (131,2 cm)
- K: CORNERWALL TO CONNECTOR 54 ft. (137,2 cm)

- Escartement minimum
- A: Mur latéral - Appareil 7 ft. (17,8 cm)
- B: Mur arrière - Appareil 5 ft. (12,7 cm)
- C: Mur de coin - Appareil 1 ft. (2,5 cm)
- D: Mur latéral - Conduit 11 ft. (27,9 cm)
- E: Mur arrière - Conduit 11 ft. (27,9 cm)
- F: Mur au-dessus - Conduit 9 ft. (22,9 cm)
- G: Plafond - Appareil 9 ft. (22,9 cm)
- H: Mur arrière - Appareil 15 ft. (38,1 cm)
- I: Mur latéral - Appareil 21 ft. (53,3 cm)
- J: Mur latéral - Conduit 31 ft. (76,7 cm)
- K: Mur latéral - Conduit devant meuble 38 ft. (96,5 cm)
- L: Distance devant meuble 43 ft. (131,2 cm)
- M: Mur de coin - Conduit 54 ft. (137,2 cm)

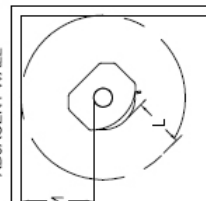
90° TURNABLE

BACKWALL



360° TURNABLE

ADJACENT WALL



SIDEWALL

** Not Tested - NFPA Guidelines In USA, CAN/CSA E3365-1/91 In Canada

Floor protection must be minimum 3/8 inch non-combustible material extending beneath the stove, and to the front and sides from door opening and to the rear as indicated.

** Non testé - NFPA Guidelines au USA, CAN/CSA E3365-1/91 au Canada

La protection de sol doit être au moins de 3/8 inch matériel non combustible placé sous le foyer s'étendant vers l'avant, les côtés les ouvertures et l'arrière comme indiqué.

TO PREVENT HOUSE FIRES

Contact local Building or Fire officials about restrictions and installation inspection in your area.

Install and use only in accordance with manufacturer's installation and operating instructions and local codes.
 In absence of any local codes, installation must meet minimum requirements of NFPA 211 in USA, and B365 in Canada.
 Refer to manufacturer's instructions and local codes for precautions required for passing chimney through a combustible wall or ceiling.
 Inspect and clean chimney system frequently in accordance with manufacturer's instruction.

Do not connect this stove to a chimney flue serving another appliance.

Do not use grate or elevate fire.

Build wood fire directly on hearth.

Flue connector pipe must be 6 inch diameter, minimum single wall 24 msg black or 25 msg blued steel.

Chimney must be factory built 6" diameter Class "A" 103 HT, or masonry.

TO PREVENT CREOSOTE FIRES

Inspect and clean chimney frequently - Under certain conditions of use, creosote buildup may occur rapidly.

Do not use other fuels than Fire wood.

CAUTION: Fully open combustion air control before opening the fuel feed door.

CAUTION: Only operate the wood heater with the doors closed.



CAUTION:

**HOT WHILE IN OPERATION-DO NOT TOUCH
 KEEP CHILDREN AND CLOTHING AWAY-
 CONTACT MAY CAUSE SKIN BURNS.
 SEE NAMEPLATE AND INSTRUCTIONS.
 KEEP FURNISHINGS AND OTHER COMBUSTIBLE
 MATERIALS A CONSIDERABLE DISTANCE AWAY
 FROM THE APPLIANCE.**

Do not overfire - If heater or chimney connector glows, you are overfiring.

U.S. ENVIRONMENTAL PROTECTION AGENCY
 Certified to comply with July, 1990 particulate emission standards.

DO NOT REMOVE THIS LABEL / NE PAS ENLEVER CETTE ÉTIQUETTE

POUR ÉVITER LES INCENDIES DOMESTIQUES
 Contactez les Autorités des Bâtimens et des pompiers concernant les restrictions et inspections d'installation dans votre région.

Installez et utilisez cet appareil uniquement en respectant les Instructions d'installation et d'utilisation du fabricant.

Respectez aussi les réglementations locales.

En l'absence de réglementations locales, l'installation doit respecter les normes minimums de NFPA 211 aux USA et B365 au Canada.

Référez-vous aux instructions du fabricant et règlement locaux concernant les précautions nécessaires à prendre pour le passage de la cheminée à travers une paroi ou un plancher combustible.

Inspectez et nettoyez le système de cheminée fréquemment selon les instructions du fabricant.

Ne connectez pas ce poêle à un conduit de cheminée utilisée par un autre appareil.

N'utilisez pas de grille et ne faites pas monter le feu.

Établissez le feu de bois directement dans l'âtre.

Le tuyau de connexion au conduit doit avoir un diamètre de 6 inch, minimum simple conduit 24 msg acier noir ou 25 msg acier bléuit.

La cheminée doit être une fabrication de 6" de diamètre Class "A" 103 HT, ou en maçonnerie.

POR EVITER LES FEUX DE CREOSOTE

Inspectez et nettoyez la cheminée régulièrement - Sous certaines condition d'emploi, la creosote peut s'accumuler rapidement.

Ne pas utiliser d'autres combustibles que le bois.

AVIS: Ouvrez complètement le contrôle d'air de combustion avant d'ouvrir la porte du foyer.

AVIS: Seulement se servir du poêle portes fermées.

ATTENTION:

**CHAUD PENDANT LE FONCTIONNEMENT - NE
 PAS TOUCHER ECARTEZ LES ENFANTS ET
 LES VÊTEMENTS- LE CONTACT PEU CAUSER
 DES BRULURES. CONSULTEZ LA PLAQUE ET
 LES INSTRUCTIONS. TENIR LES MEUBLES ET
 AUTRES MATIERES COMBUSTIBLES A
 GRANDE DISTANCE DE L'APPAREIL.**

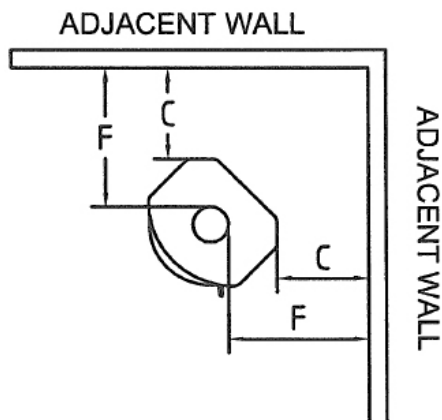
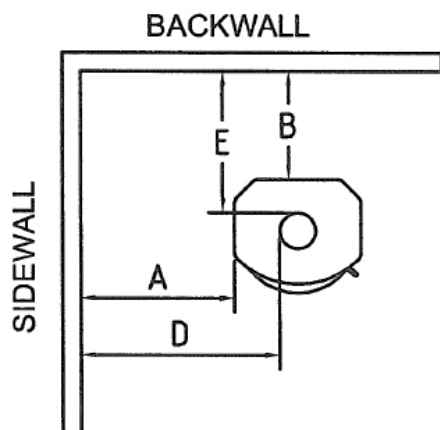
Évitez de surchauffer-si le feu ou la cheminée rougeole, vous surchauffez.

Distance aux parois combustibles

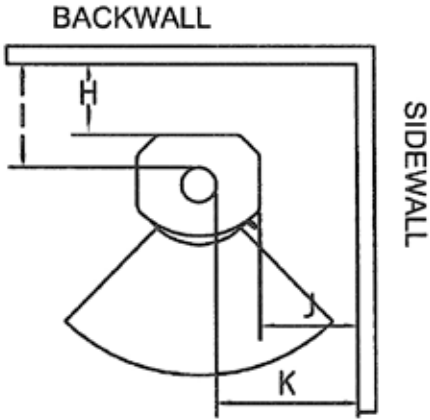
Pour savoir si la paroi près de laquelle le poêle doit être placé est combustible ou pas, veuillez consulter votre architecte ou les autorités locales en matière de bâtiment.

Si le sol est combustible, le poêle doit être placé sur une plaque non-combustible en métal, en verre ou en pierre.

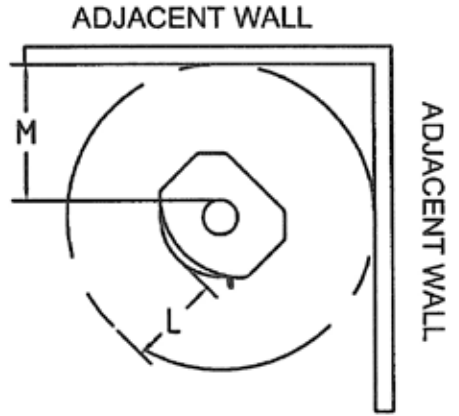
Réf.	Description	Distance minimum
A	Paroi latérale à unité	7" (17.8 cm)
B	Paroi arrière à unité	5" (12.7 cm)
C	Paroi de coin à unité	1" (2.5 cm)
D	Paroi latérale à connecteur	14" (35.6 cm)
E	Paroi arrière à connecteur	11" (27.9 cm)
F	Paroi de coin à connecteur	11" (27.9 cm)
G	Plafond à l'appareil	9" (22.9 cm)
H	Paroi arrière à unité	15" (38.1 cm)
I	Paroi arrière à connecteur	21" (53.3 cm)
J	Paroi latérale à unité	31" (78.7 cm)
K	Paroi latérale à connecteur	38" (96.5 cm)
L	Distance à paroi avant/mobilier	43" (109.2 cm)
M	Paroi de coin à connecteur	54" (137.2 cm)



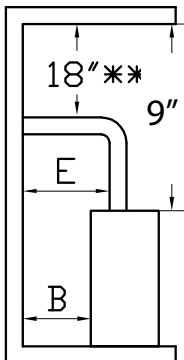
90° TOURNANTE



360° TOURNANTE



** REAR/TOP VENT OPTION
CEILING



**:

Veillez consulter les directives de la NFPA aux EU et de la CAN/CSA B-65-M91 au Canada.

Distance à paroi non combustible

Nous recommandons une distance minimum à tout matériau non combustible d'au moins 2" (50 mm), afin de faciliter le nettoyage. La porte de nettoyage doit être accessible à tout moment.

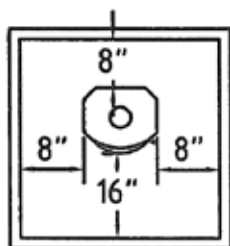
Les distances ne pourront être réduites que dans les cas approuvés par les autorités de régulation.

Protection de sol

La protection de sol doit être en matériau non combustible dépassant derrière le poêle, et sur l'avant et les côtés de l'ouverture de porte, ainsi que sur l'arrière conformément aux indications.

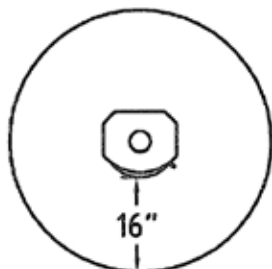
Protection de sol pour le Canada : 18" (45 cm) de l'unité à l'avant du protecteur de sol. Le protecteur de sol doit se trouver sous le tuyau de connecteur et 2" (5 cm) sur le côté pour une configuration à travers le mur.

PROTECTION DE SOL



FRONT

F PROTECTION DE SOL TOURNANTE



FRONT

Bois à brûler

Ne brûlez que du bois ayant séché pendant au moins un an (2 si possible !). Si le bois n'a pas été entreposé ou n'a pas séché, une grande part de l'énergie calorifique servira à l'évaporation de l'eau contenue dans le bois. D'autre part, de la condensation ou de la créosote risque d'apparaître dans le poêle et le tuyau si vous brûlez du bois humide.

Le bois coupé de fraîche date contient environ 60 à 70 % d'eau et est complètement impropre à la combustion.

Les bûches doivent en principe mesurer environ 2" (5 cm) de moins que la largeur du foyer.

EVITEZ DE BRULER DES DECHETS (LES PLASTICS ET AUTRES DECHETS EMETTENT DES GAZ NOCIFS), DU BOIS ECHAPPE, TRAITE OU PAINT, DES BUCHES ARTIFICIELLES OU DU BOIS NON ENTREPOSE.

Tous les types de bois ont le même pouvoir calorifique par livre ; cependant, la densité du bois n'est pas la même, comme indiqué dans le tableau ci-dessous, qui reflète la valeur de combustion d'un bois séché pendant deux ans avec un taux d'humidité de 15-20 %. Voir tableau de gauche.

Séchage et entreposage

Le bois utilisé dans un poêle doit être séché pendant deux ans pour une combustion optimale.

Voici quelques conseils d'entreposage :

- Coupez et fendez le bois avant de l'entreposer.
- Conservez la pile de bois dans un endroit ensoleillé et sec, protégé de la pluie. Evitez de recouvrir la pile avec un plastique, car cela empêcherait le bois de sécher correctement.
- Empilez le bois avec assez d'espace entre les files pour garantir une bonne circulation de l'air.
- Rentez les bûches à l'intérieur deux à trois jours avant leur utilisation.

Type de bois	Bois sec kg/m ³	Comaréé au hêtre
Hêtre et chêne	580	100 %
Frêne	570	98 %
Erable	540	93 %
Bouleau	510	88 %
Pin de montagne	480	83 %
Sapin	390	67 %
Peuplier	380	65 %

EVITEZ DE STOCKER DU COMBUSTIBLE SOLIDE A PROXIMITE D'UNE INSTALLATION DE SHAUFFAGE OU DANS L'ESPACE REQUIS POUR CHARGER ET DECHARGER LES CENDRES.

Réglage de la combustion d'air

Tous les poêles RAIS sont équipés d'une poignée facile à utiliser pour le réglage de l'arrivée d'air. En ce qui concerne les différentes positions de la poignée, reportez-vous aux illustrations précédentes. Pour garantir une bonne combustion, il est très important de fournir la quantité d'air appropriée, au bon moment et au bon endroit. Les réglages effectués en usine ne doivent en aucun cas être modifiés pour augmenter le tirage.

L'air primaire est défini comme l'air nécessaire à la combustion de la masse de bois et stimule la production de gaz volatiles.

L'air secondaire est utilisé pour brûler les gaz à hautes températures (supérieures à 1 000°F (540°C)) et pour éviter l'accumulation de suie sur la vitre. L'air secondaire traverse le contrôle d'air situé sous la chambre de combustion et est réchauffé au travers des canaux latéraux, puis envoyé sur la vitre. L'air chaud balaie la vitre et y empêche la formation de suie.

Tout à l'arrière de la chambre de combustion, il y a un troisième canal dans la partie supérieure pour aider à la combustion des gaz restants.

Pour fournir suffisamment d'oxygène à la combustion, et tirer le meilleur parti possible de la capacité énergétique du bois, placez le contrôle d'air entre les positions 1 et 2. Des flammes brillantes et jaunes indiquent un bon réglage de l'arrivée d'air. La recherche de la bonne position s'effectue par essais et erreurs, mais est relativement facile à effectuer.

Ne fermez jamais complètement l'arrivée d'air lorsque vous utilisez le poêle. Une erreur type consiste à fermer l'arrivée d'air trop tôt parce que la température devient trop élevée. Conséquence : la cheminée dégagera un nuage de fumée noire, indiquant par là une mauvaise utilisation de la capacité énergétique du bois.

Pour une bonne maîtrise du feu, il importe de respecter les instructions figurant dans le manuel et de maintenir fermée la porte du poêle. On veillera également à conserver les joints en bon état.



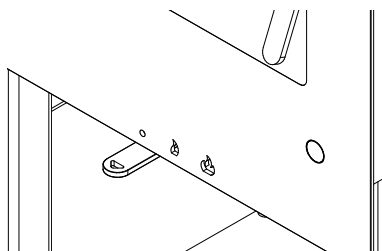
SOUVENEZ-VOUS QUE LE POELE EST CHAUD EN COURS DE FONCTIONNEMENT ET ELOIGNEZ PAR CONSEQUENT LES ENFANTS, LES VETEMENTS ET LES MEUBLES. LE CONTACT AVEC UN POELE BRULANT PEUT ENTRAINER DES BRULURES DE LA PEAU.

Utilisation du poêle

N'utilisez que le bois combustible décrit dans la section BOIS A BRULER de ce manuel.

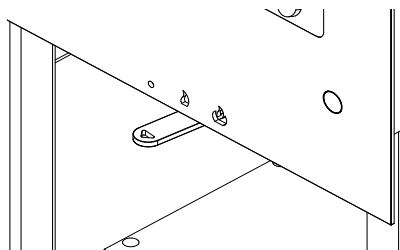
Réglage de l'arrivée d'air

L'arrivée d'air comporte trois positions différentes :



Position 1:

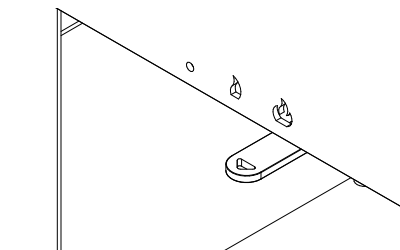
Le coupe-tirage est presque fermé, si bien que l'arrivée d'air est minimale.



Position 2:

Poussez la poignée vers la droite jusqu'à ce qu'elle se bloque. Cette position permet une arrivée d'air secondaire complète.

Pour une combustion ordinaire, la poignée doit être placée à mi-chemin entre les positions 1 et 2. Lorsque les flammes deviennent claires et jaunes, le coupe-tirage est bien réglé et la combustion s'effectue de façon lente et optimale.



Position 3:

Tirez sur la poignée, et poussez-la vers la droite. Le coupe-tirage est ouvert en grand et permet une arrivée d'air primaire et secondaire complète. Cette position correspond à la phase d'allumage et ne doit pas servir au fonctionnement normal.

Contrôle

Si les cendres sont blanches et les parois de la chambre de combustion ne sont pas couverts de suie, c'est que l'arrivée d'air est bien réglée et que le bois est suffisamment sec.

Premier feu

Votre nouveau poêle RAIS doit être mis en route de façon progressive pour des performances optimales et pour éviter d'en abîmer la peinture, les fissures des briques réfractaires et une usure prématurée. Commencez par un feu restreint (ne surchargez jamais le foyer) pour permettre aux matériaux de s'habituer aux températures élevées, puis augmentez graduellement l'intensité. Utilisez 2 bûches maximum.

Lors des premiers feux, vous risquez de détecter une odeur étrange liée au « chauffage » de la peinture et des matériaux. Cela est normal et cessera rapidement. Veillez simplement à ce que la pièce soit bien aérée ! Par ailleurs, lors des premiers cycles de température, vous risquez d'entendre des « cliquetis » dus aux différences de température importantes auxquelles sont soumises les parties métalliques. Rien de très normal là encore.

Pour que le bois brûle correctement, il faut fournir une quantité suffisante d'air au bon moment et au bon endroit.

Allumage et entretien



Pour allumer le poêle, utilisez des briquettes d'allumage ou quelque chose d'équivalent, ainsi qu'environ 2 kg de petit bois d'allumage fendu en fines bûchettes. Ouvrez l'arrivée d'air en grand.

Évitez de placer le bois de chauffage trop près de l'ouverture et de la vitre.



CONSEILS avant l'allumage :

Ouvrez une porte ou une fenêtre à proximité du poêle à bois.

Si l'air de la cheminée, et donc du poêle, est agité, il est conseillé de placer un morceau de journal froissé entre le déflecteur supérieur et la cheminée, d'y mettre le feu, et d'attendre jusqu'à entendre un "grondement" dans la cheminée. Cela signifie que la cheminée tire bien et permet d'éviter d'enfumer la pièce.



Allumez le feu et repoussez la porte, tout en la laissant entrouverte avec un espace libre d'environ 10-15 mm.



Une fois les flammes claires et vigoureuses, soit au bout d'environ 5 à 10 mn, refermez la porte.

Arrivée d'air : voir réglage de l'arrivée d'air.



Au bout d'environ 10 à 20 mn, une fois la quantité de braises suffisante, ajoutez deux ou trois bûches supplémentaires. Laissez la porte entrouverte jusqu'à ce que les bûches prennent, puis refermez-la.

Évitez de placer le bois de chauffage trop près de l'ouverture et de la vitre.

Arrivée d'air : voir réglage de l'arrivée d'air.



Au bout d'environ 5 mn, ou une fois que les flammes sont claires et vigoureuses, refermez petit à petit l'arrivée d'air.

Il est recommandé de laisser une couche de cendres de 20 mm d'épaisseur dans la chambre de combustion, car elle servira d'isolation.



Remarque!
En cours de fonctionnement, la porte doit toujours rester fermée.



Précautions en matière de combustibles

Évitez de brûler des déchets (les plastiques et autres déchets émettent des gaz nocifs), du bois échappé ou traité, des bûches artificielles, ou du bois non entreposé.

N'utilisez jamais d'essence, de carburant à lanterne de type essence, de kérosène, de fluide de briquet au charbon, d'huile à moteur, ou de liquides similaires pour démarrer ou relancer un feu dans ce réchaud. Conservez tous ces genres de liquides bien à l'écart du poêle pendant son utilisation.

Entretien et maintenance

Faites vérifier votre cheminée et votre poêle tous les deux mois pendant la saison de chauffage, ou au moins une fois par an par un ramoneur professionnel et faites-les nettoyer si besoin est.

Lors du nettoyage du poêle, vérifiez l'état des joints. Les joints doivent être en bon état et ne pas être endommagés.

Lors de tout nettoyage, examen ou réparation, le poêle doit être froid. Si la vitre est couverte de suie, observez le conseil simple suivant :

- Humidifiez un bout de papier ou de journal, trempez-le dans les cendres froides et frottez la vitre pleine de suie.
- Utilisez un autre bout de papier pour polir la vitre.
- On peut aussi utiliser un bon produit nettoyant pour les vitres.
- Évitez d'utiliser des nettoyeurs abrasifs.

Les surfaces extérieures peuvent être frottées à l'aide d'un chiffon doux et sec et, le cas échéant, un petit peu de détergent dilué. Ne grattez JAMAIS les surfaces.

Nettoyage de la stéatite :

Le nettoyage au jour le jour peut être effectué à l'aide d'un chiffon humide. Au besoin, la stéatite peut être soigneusement nettoyée à l'aide d'un diluant à peinture quelconque du commerce. Les tâches résistantes impossibles à dissoudre à l'aide du diluant peuvent être nettoyées au papier de verre doux.

Nettoyage de la chambre de combustion :

Récupérez les cendres et stockez-les dans un conteneur métallique hermétiquement fermé jusqu'à leur complet refroidissement avant de les transférer dans la benne à ordures. Évitez de placer d'autres débris dans ce récipient.

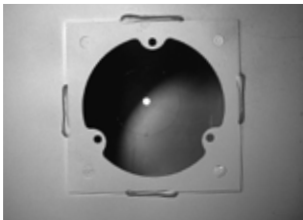
Nettoyage du système de chicane à fumée



Retirez le convertisseur de fumée en le penchant d'un côté et en le tournant légèrement sur la tranche. Retirez la plaque avec précaution.



Puis, retirez l'écran à fumée en le soulevant et en le tirant vers l'avant. Retirez l'écran à fumée avec précaution.



Vous avez désormais accès à l'extracteur de fumée. Éliminez saletés et poussières, puis remontez les pièces en sens inverse.

CRÉOSOTE

FORMATION ET NÉCESSITÉ DE S'EN DÉBARASSER

LORSQUE LE BOIS BRÛLE À PETIT FEU, IL PRODUIT DU GOUDRON ET D'AUTRES VAPEURS ORGANIQUES, QUI S'ACCROÏSSENT AU SURPLUS D'HUMIDITÉ POUR FORMER LA CRÉOSOTE. LES VAPEURS DE CRÉOSOTE SE CONDENSENT DANS LE CONDUIT DE CHEMINÉE RELATIVEMENT FROID D'UN FEU QUI COUVE. RÉSULTAT, LES RÉSIDUS DE CRÉOSOTE S'ACCUMULENT SUR LE REVÊTEMENT DU CONDUIT. UNE FOIS EMBRASÉE, CETTE CRÉOSOTE GÉNÈRE DES FLAMMES EXTRÊMEMENT CHAUDES. LE CONNECTEUR DE CHEMINÉE ET LA CHEMINÉE DOIVENT ÊTRE INSPECTÉS TOUS LES DEUX MOIS PENDANT LA SAISON DE CHAUFFAGE POUR DÉTECTER LA PRÉSENCE ÉVENTUELLE D'AUNE ACCUMULATION DE CRÉOSOTE. SI C'EST LE CAS, IL FAUT L'ÉLIMINER POUR RÉDUIRE LE RISQUE D'INCENDIE DANS LA CHEMINÉE.

Élimination des cendres

PLACEZ LES CENDRES DANS UN CONTENEUR MÉTALLIQUE MUNI D'UN COUVERCLE HERMÉTIQUE. PLACEZ LE CONTENEUR AVEC LES CENDRES SUR UN PLANCHER ININFLAMMABLE OU SUR LE SOL, À BONNE DISTANCE DE TOUT MATÉRIAU COMBUSTIBLE, EN ATTENDANT DE LES ÉLIMINER DÉFINITIVEMENT. SI LES CENDRES SONT ÉLIMINÉES PAR ENFOUISSAGE DANS LE SOL OU DISPERSÉES LOCALEMENT, ELLES DEVRONT DEMEURER DANS LE CONTENEUR FERMÉ JUSQU'À LEUR REFROIDISSEMENT TOTAL. AUCUN AUTRE DÉCHET NE DOIT ÊTRE DÉPOSÉ DANS CE CONTENEUR.

La gaine inférieure du foyer est constituée de brique réfractaire et la gaine latérale de plaques d'isolation en vermiculite (skamol), qui protègent les plaques d'acier extérieures contre la surchauffe. Avec le temps, des petites fissures peuvent apparaître, et cela est normal. Mais en cas de rupture, il faut les remplacer. La vermiculite est un matériau poreux à fort pouvoir isolant, qui doit par conséquent être manipulé avec précautions.

Dépannage

La porte laisse échapper de la fumée :

- Pas assez de tirage dans la cheminée (<12 Pa)
- Vérifiez la présence éventuelle d'obstacles dans la cheminée ou le tuyau d'aération
- Vérifiez si le ventilateur d'extraction de la cuisine est en marche et, si c'est le cas, éteignez-le et ouvrez la fenêtre pendant quelque temps

Suie sur la vitre :

- Le bois est trop humide
- Vérifiez que le poêle est suffisamment réchauffé avant de refermer la porte
- L'arrivée d'air est mal réglée (trop faible)

Le poêle brûle trop fort :

- Le joint n'est peut-être pas étanche. Vérifiez-le et remplacez-le si besoin est
- Le tirage de la cheminée est trop élevé (>22 Pa). Si c'est le cas, installez un coupe-tirage

Le poêle brûle trop lentement :

- Quantité de bois à brûler insuffisante
- Le poêle ne reçoit pas assez d'air
- Cheminée bloquée
- Cheminée qui fuit
- Fuite entre la cheminée et le tuyau

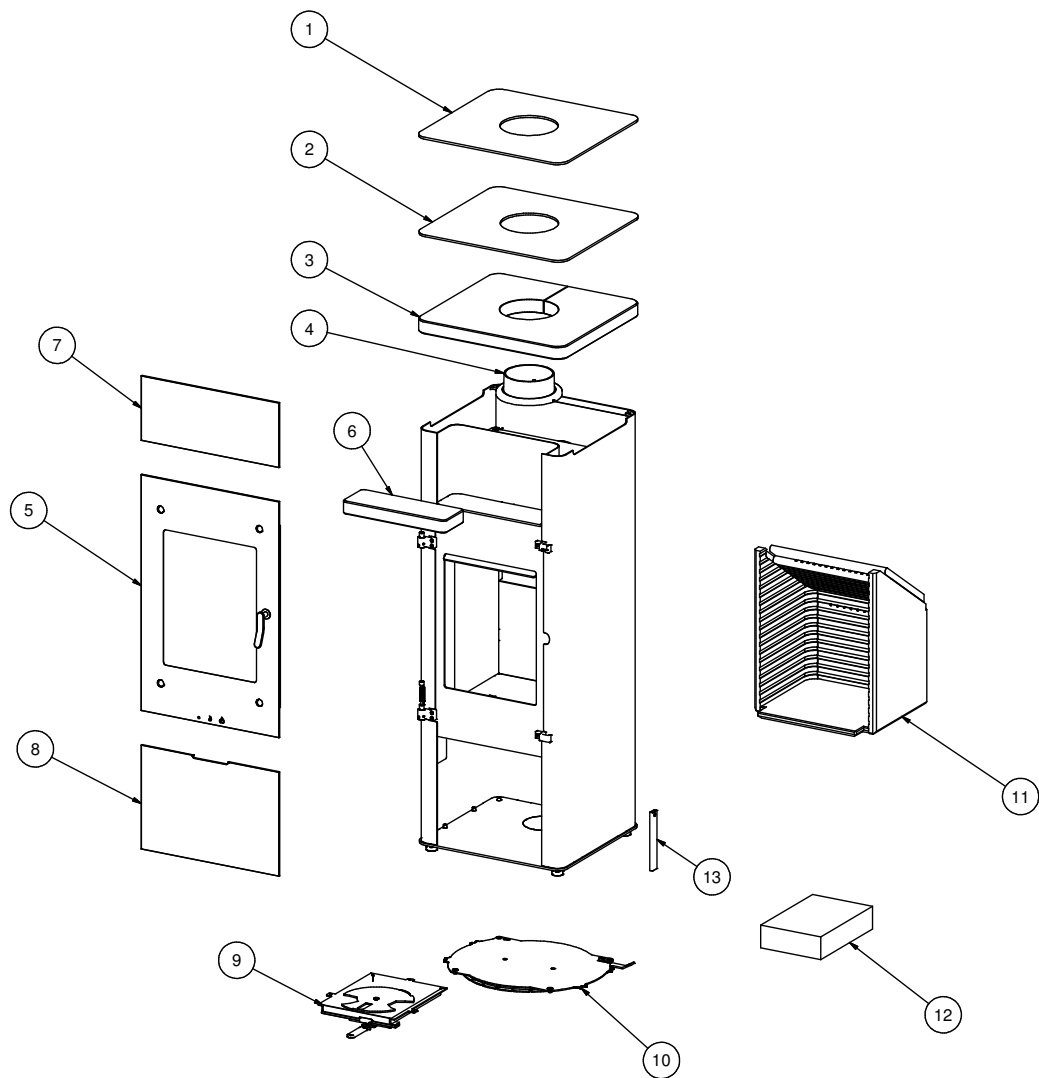
Si les problèmes persistent, nous recommandons de consulter votre ramoneur ou votre distributeur RAIS local.

Feu de cheminée, feu de suie ou feu de créosote :

En cas de feu dans la cheminée, fermez rapidement toutes les portes, les coupe-tirages et les aérations, et appelez les pompiers de votre domicile. Ne JAMAIS utiliser de l'eau pour éteindre le feu.

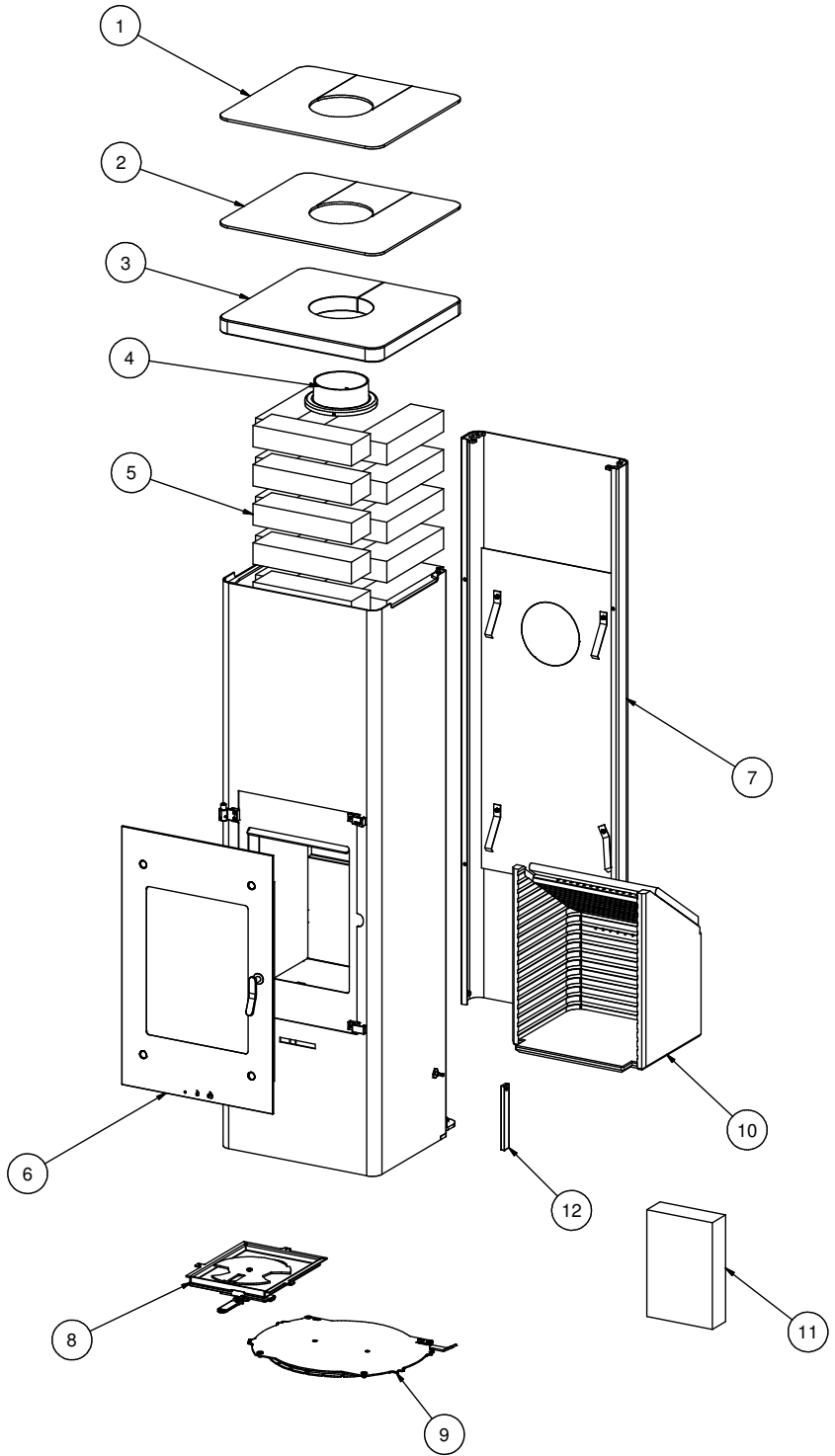
Diagrammes de pièces détachées - RAIS Topas

Pos.	Numéro	Réf.pièce/Description
1	1	530060290/95 Plaque supérieure avec trou
2	1	530061280 Plaque supérieure en acier inox avec trou
3	1	5307002 Plaque supérieure en stéatite avec trou
4	1	8142390 Connexion de tuyau de table tournante
5	1	5301090 Porte
6	1	5307004 Plaqué à four en stéatite
7	1	5300890 Revêtement pour le compartiment cuisson
8	1	5303790 Porte de stockage
9	1	5300990100 Boîte à air
10	1	5301595 Base tournante
11	1	5302200100 Jeu de briques en Skamol
12	1	5305500 Jeu de joints
13	1	5301018 Enveloppe de poignée froide



Diagrammes de pièces détachées - RAIS Opus

Pos.	Numéro	Réf.pièce/Description
1	1	530060290/95 Plaque supérieure avec trou
2	1	530061280 Plaque supérieure en acier inox avec trou
3	1	5307002 Plaque supérieure en stéatite avec trou
4	1	8142390 Connexion de tuyau de table tournante
5	20	5607020 Pierre stéatite
6	1	5301090 Porte
7	1	560070190/95 Panneau arrière
8	1	5300990100 Boîte à air
9	1	5301595 Base tournante
10	1	5302200100 Jeu de briques en Skamol
11	1	5305500 Jeu de joints
12	1	5301018 Enveloppe de poignée froide





RAIS A/S
Industrivej 20
DK-9900 Frederikshavn
www.rais.dk

A thin, solid red line that starts near the bottom left and curves upwards towards the right, ending near the bottom right of the page.

THE ORIGINAL